



## IMAGE 1

---

SOLAR GARDEN  
LIGHT

---



# INTRODUCTION ■

01

FRONT COVER

02

CONTENTS

03

MAIN FEATURES

04

PRODUCT PARAMETER

05

MAIN FEATURES

06

PRODUCT ADVANTAGES

07

APPLICATIONS

08

ID DESIGN

09

CORE TECHNOLOGY

10

PRODUCT VIEW

11

PACKAGE DETAILS

12

END

# ALUMINUM ALLOY --- LAMP BODY



CORROSION AND WEATHERING RESISTANCE.

ETFE HIGH

# MINIMALIST DESIGN

1



**Method 1**

Inserting spikes in the soil

2



**Method 2**

Fixing on concrete  
or wooden boards by screws

OPTICAL LENS WITHOUT LIGHT POLLUTION



## ETFE SOLAR PANELS ■■■

High-efficiency  
Photoelectric conversion

---



Hold button  
to switch on

## OPTICAL LENS ■■■

HD and transparent  
No light pollution

---

## ALUMINUM ALLOY LAMP BODY ■■■

Preservative  
Anti-weathering

---



## Model : SGL-09 ( Aluminum Alloy Solar Bollard Light)

### Solar panel

High Efficiency Solar Panel

1.2W (ETFE laminated)

### Led

LED Qty

6pcs SMD3030

LED Module

1

LED Wattage

3W

Efficiency

160lm/w

LED illumination color

3000-6500K (Other CCT can be customized)

### Battery

Lithium Battery

3.7V 2200mAh

Charging Time

6-8hrs by bright sunshine

### General Information

Product Material

Aluminum alloy + High end quality PC

Product Size

L92\*W92\*H528mm

IP Level

65

Operation Temperature

-25°C ~ 65°C

Working mode

Steady light entire night , auto off at daytime for charging

Light control threshold

20lux

Sensitivity Method

N/A

Lighting time

10 nights after fully charged (COEUS Technology)

Mounting Methods

Install with screws or spike to fix on the ground .

Certificate

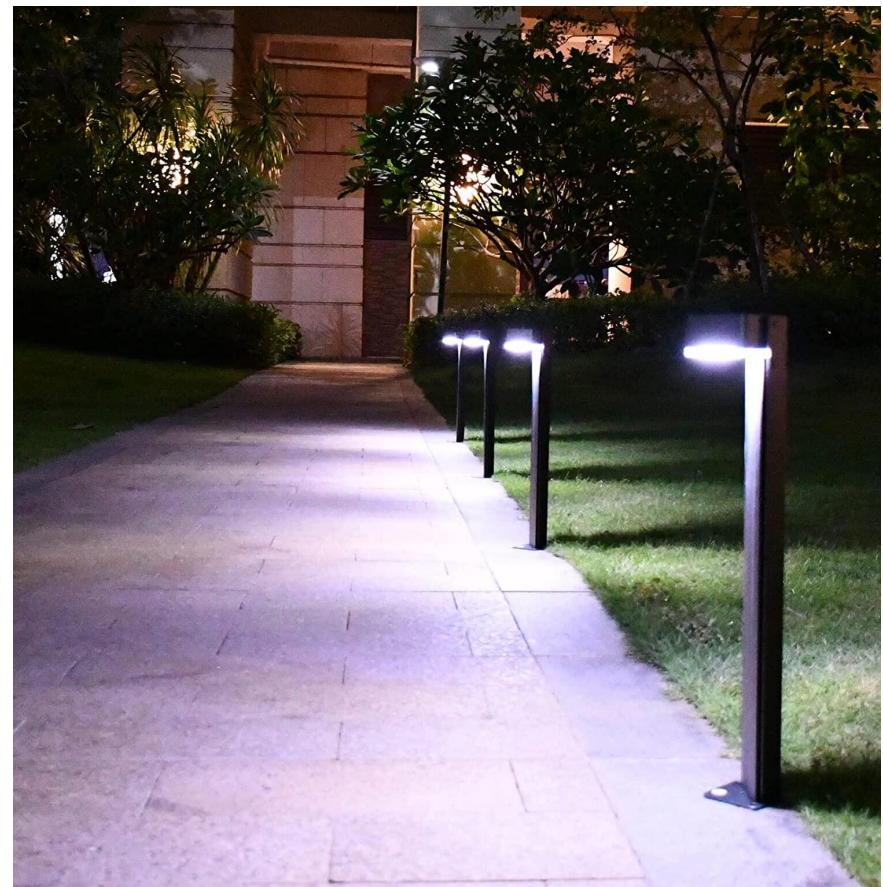
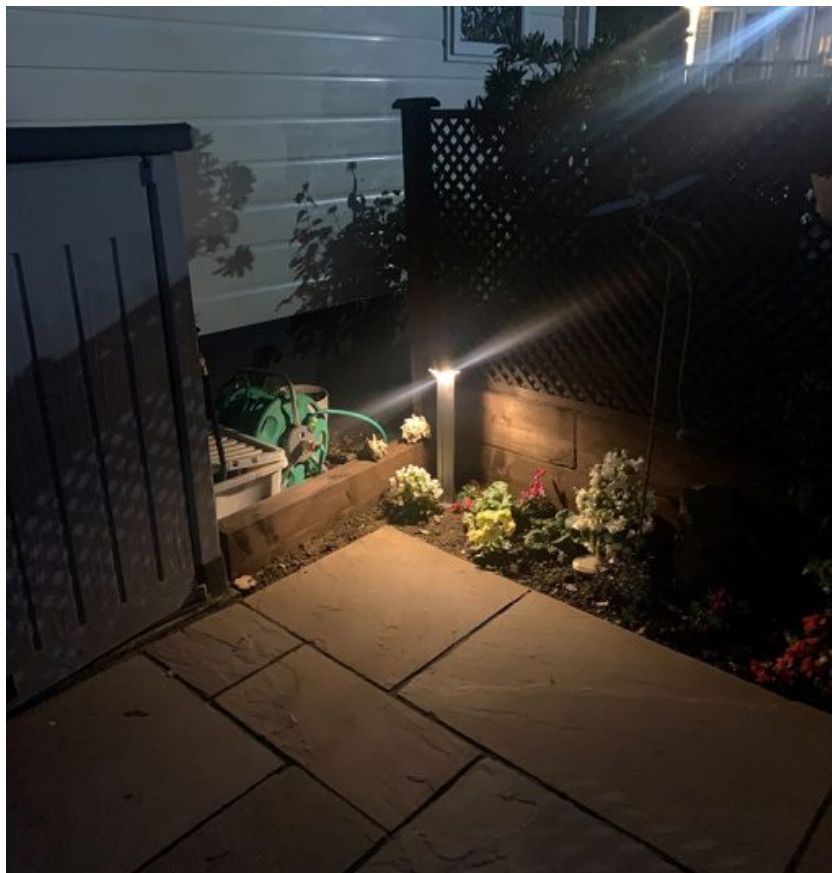
CE ROHS FCC ISO9001:2015 PatentNo.:

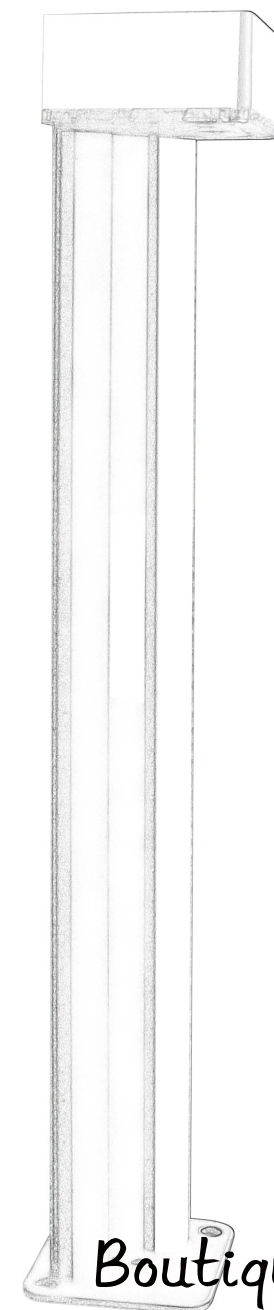
Warranty

2years

Applications

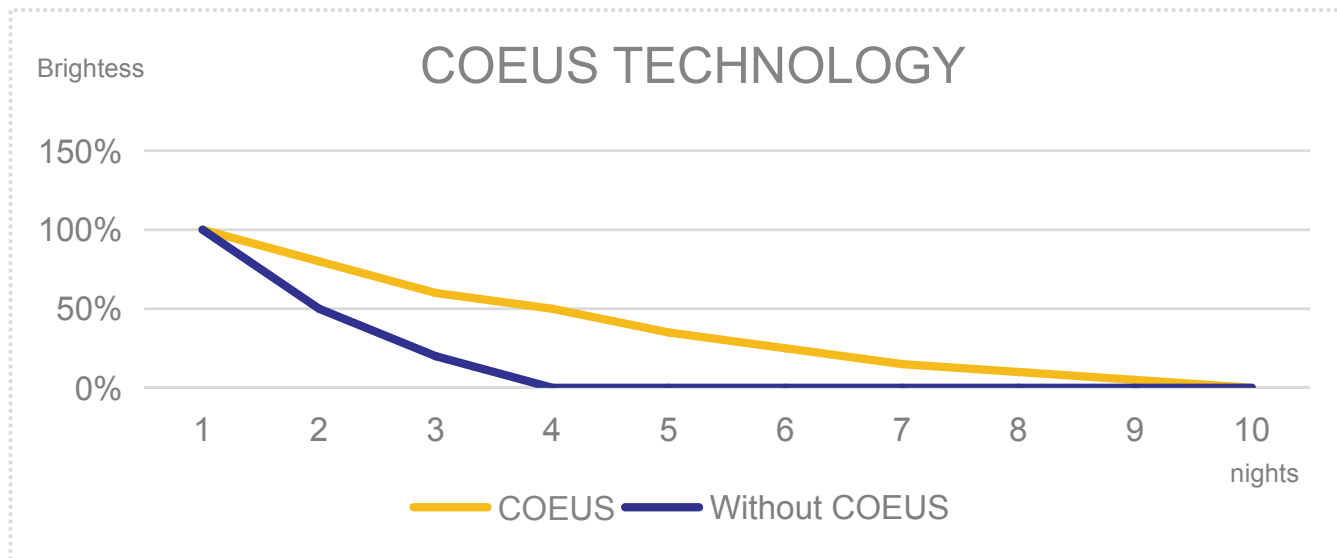
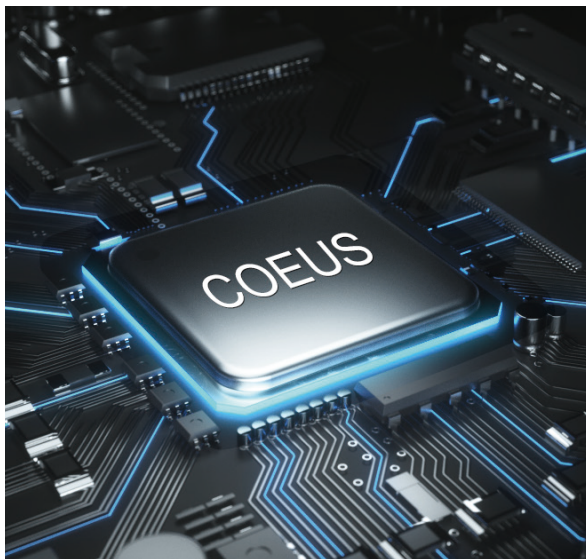
Garden of the villa,Outdoor public areas, Villa gardens, corridors, laneways, garden light , lawn light , pathway light

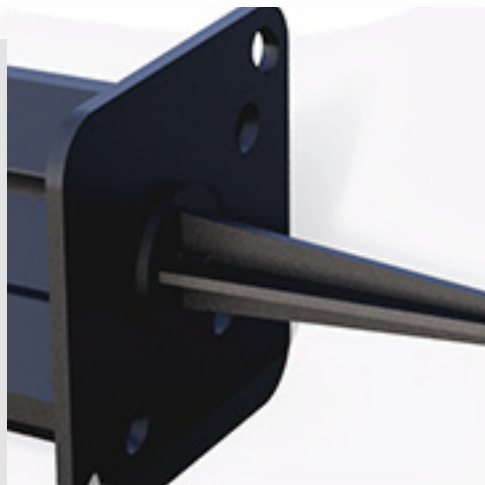
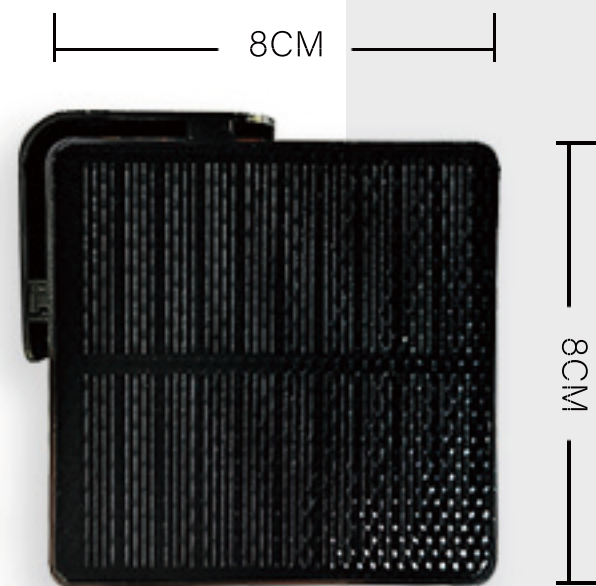
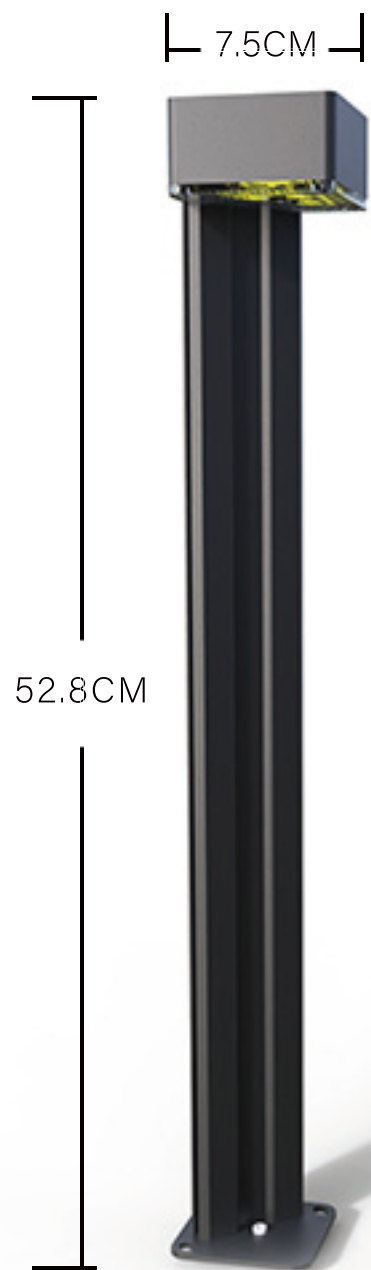




*Boutique*







**METHOD ONE:**

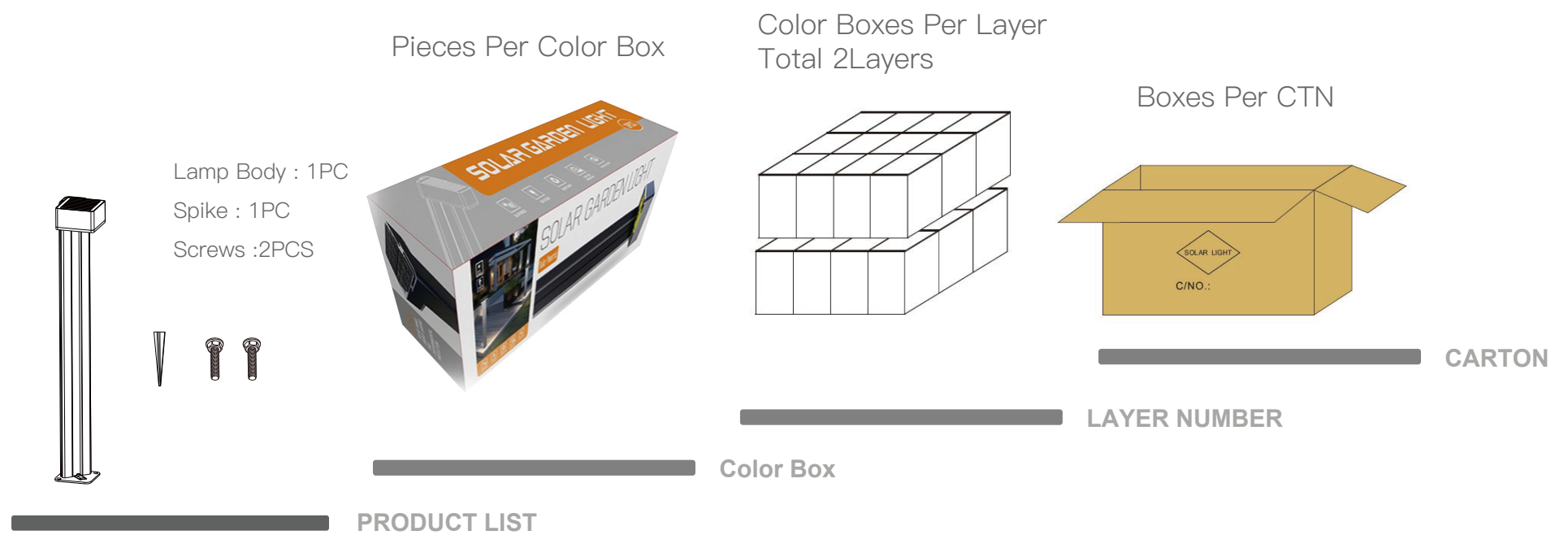
Ground plug-in  
with spike



**METHOD TWO:**

Direct Screw Fixing

● SOLAR LIGHT I PACKAGE DETAILS



MODEL NO.	PACKING DETAILS	CTN SIZE (1PCS / CTN)	BOX NET WEIGHT	BOX GROSS WEIGHT	20GP LOAD	40GP LOAD	40HQ LOAD
SGL-09	16 PIECE /CTN	66*45*35CM	2.6KG	3KG	4480PCS	9280PCS	1880PCS

Net weight and gross weight are for reference only

THANK  
YOU

